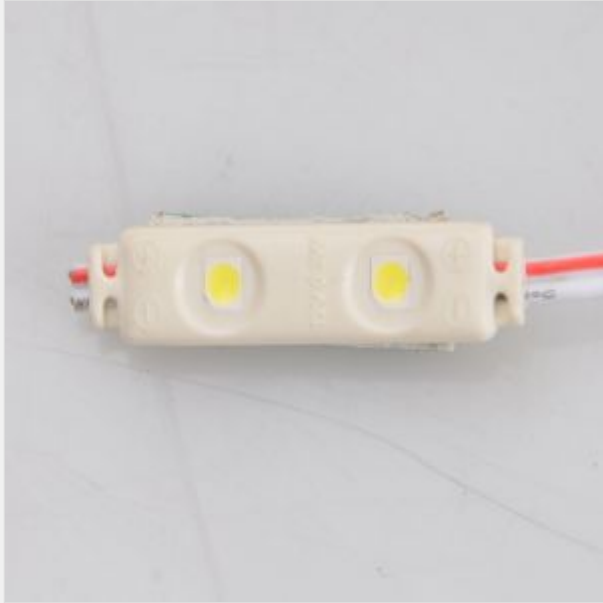




Sample-0.3w 2 SMD water proof LED Module, White LED(30x7mm)

Item Code: LED module-RS-M602B-2WF



Mini Order: 1 pc

Shipping Weight: ★★★★★

Average Rating: 3.3lb (1.5kg)

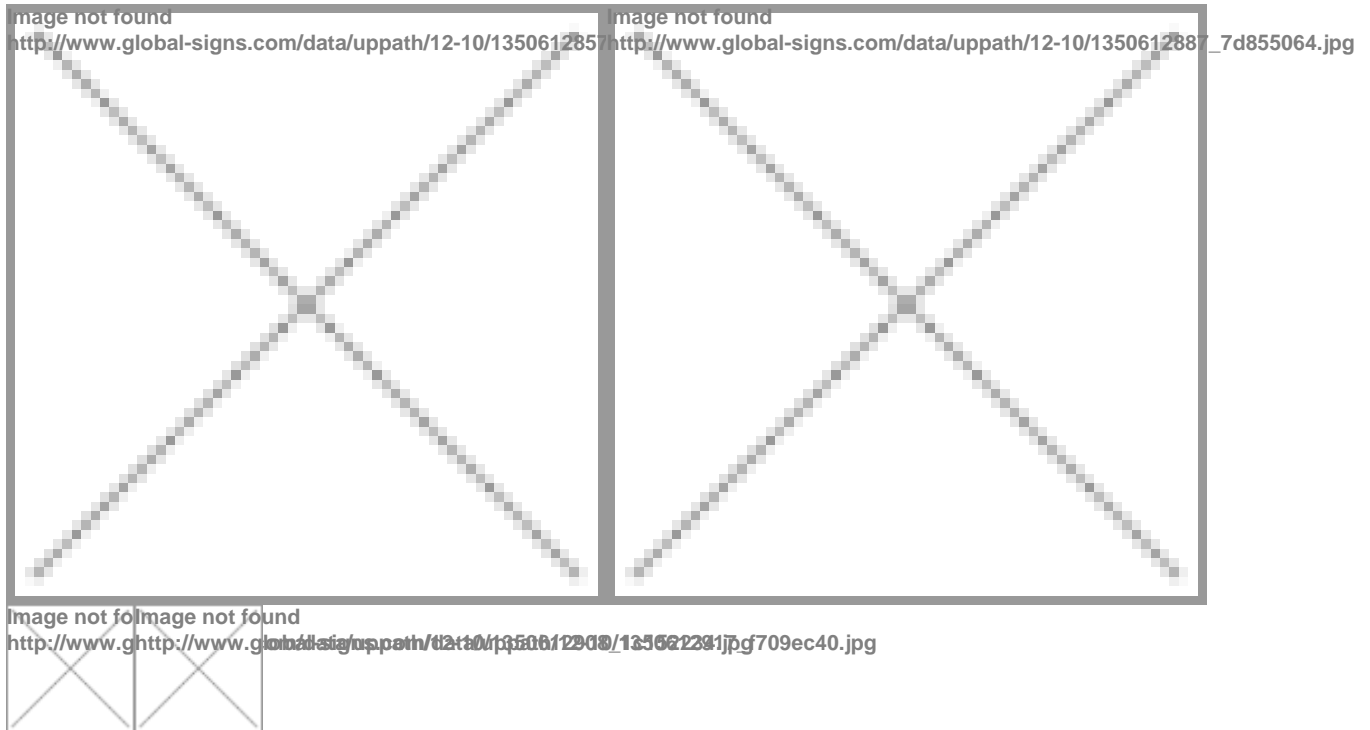
[Inquire Now](#)

Overview

LED Amount:3 LEDs
LED Type: 3528 SMD
Length :1.2"(30mm)
Max power:0.3W

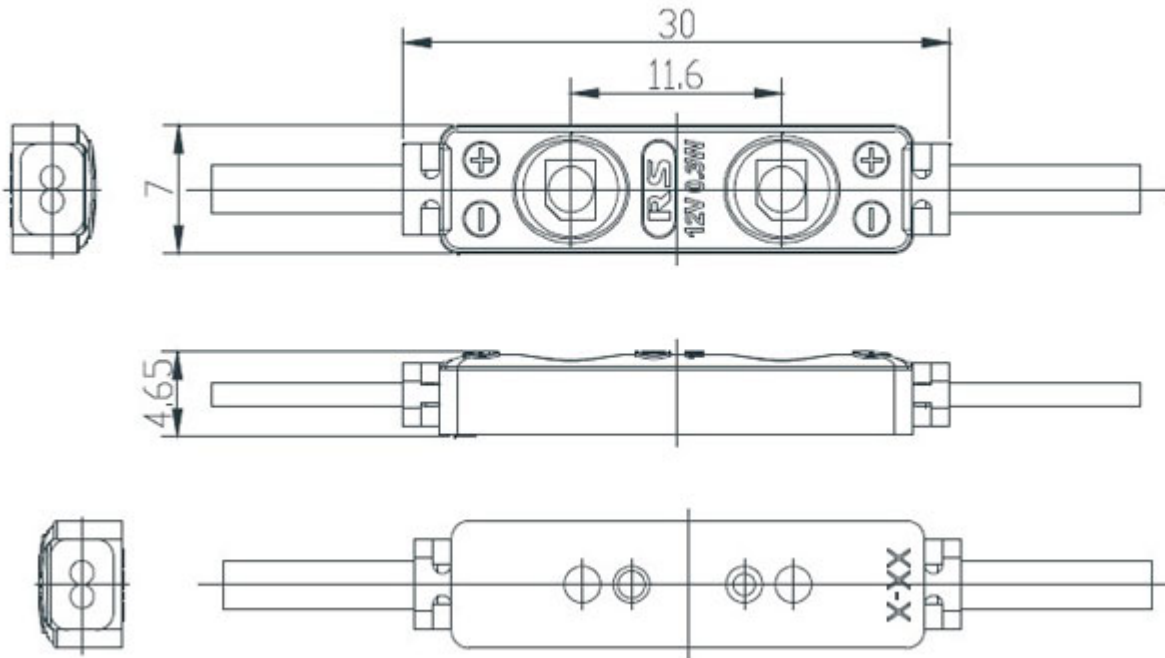
This injection molding PVC design applies to 6cm--12cm thick advertisement signage,whose lifespan is 3-year or 13,000-hour use.

Product Photos:

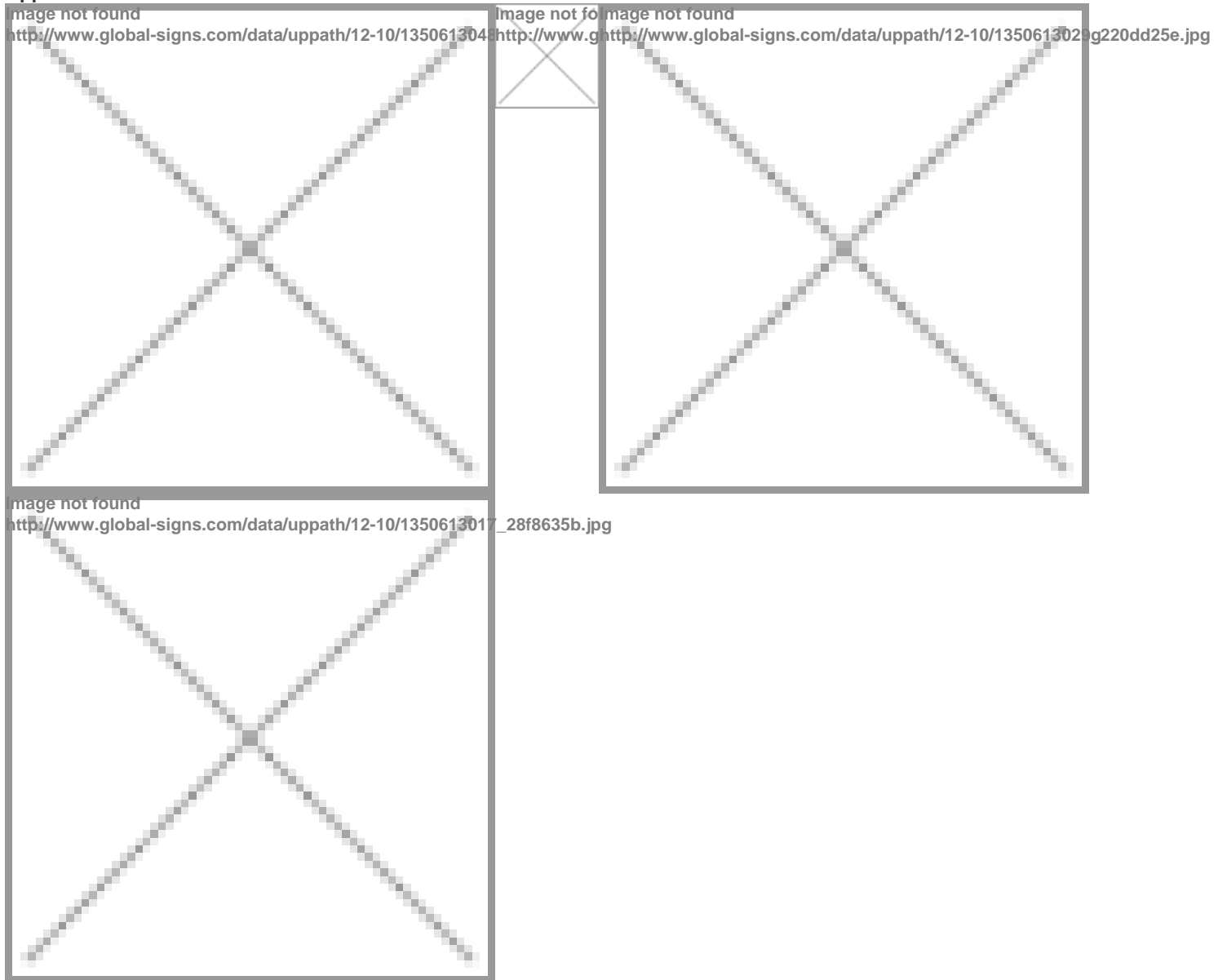


Three Space Dimensions:

30×7×4.65mm



Application:



Specifications

Basic parameters			
Color	White	LED type	SMD
LED Qty	2 pcs	Dimension	30 x 74 x 5.5mm
Module interface	Gray 0.5mm2x75mm RVleads	Interface definition	Gray anode, white cathode
Cluster Qty	20pcs	Module space between	
Weight	10g±5%	Lifespan	MTBF?50000hours

Environment parameters			
Working temperature	-30?~ 50?		
Defend grade	IP65		
Electronic specifications			
Working input voltage	D12V±5%	Max power	0.3W
Driving mode	Invariable voltage! (Insure every LED working under the invariable voltage)		
Lighting capability			
Luminous flux	14 lm		
Beam angle	118°		

Tags

[SMD LED Module](#) [LED Module](#)



Copyright © 1999-2012 by Beijing ChinaSigns Information Company Limited All Rights Reserved.

Email:info@sign-in-china.com Tel:+86 132 6410 3286 www.sign-in-china.com