



## High Power 3 SMD LED Module, White LED 1.2W 45x38mm

Item Code: LED module-RS-M613C-3WF



FOB Price: **\$2.13/pc**

Mini Order: 200 pcs

Average Rating: 1b (kg)

[Inquire Now](#)

### Overview

**It fits for 12-25cm height logo and signage.**

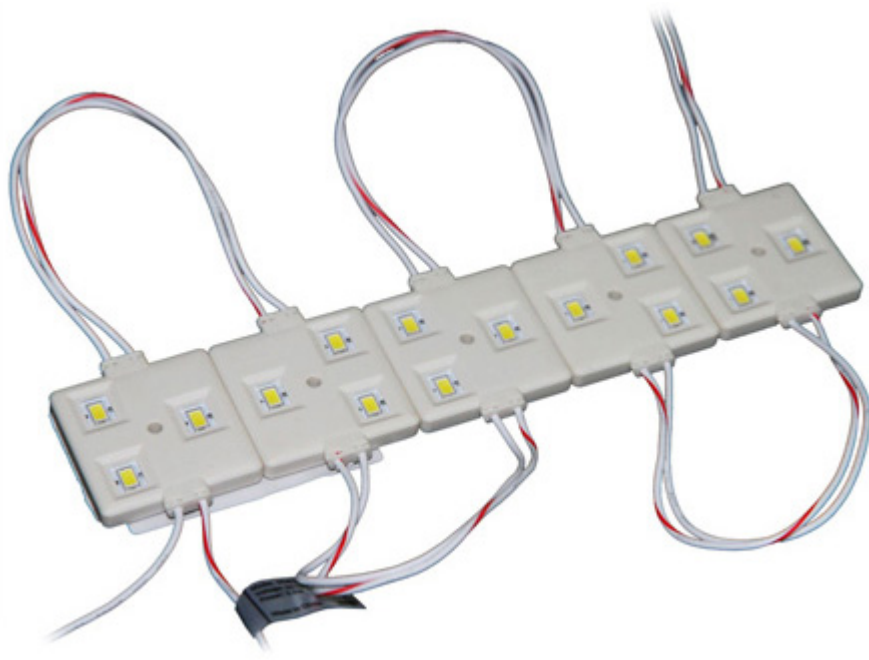
**Product Features:**

1. High performance-price ratio, Luminous Flux per Module: 76lm, Luminous efficiency: 63 lm/w
2. Good quality: We adopt the package process and aluminum PCB which improve the whole item heat dissipation and increase the service life.
3. Constant current driving: This design make the whole product brightness more equality and provided a long lift-span Warranty.
4. High protection level: Adopting PC shield and the package process which make the protection level real get to IP65.
5. Easy to install, maximum cascade number: 50PCS modules; cut between modules is allowed. A single module can work alone, convenient to use.
6. Reliable operating time: 3 years warranty (12h per day ).

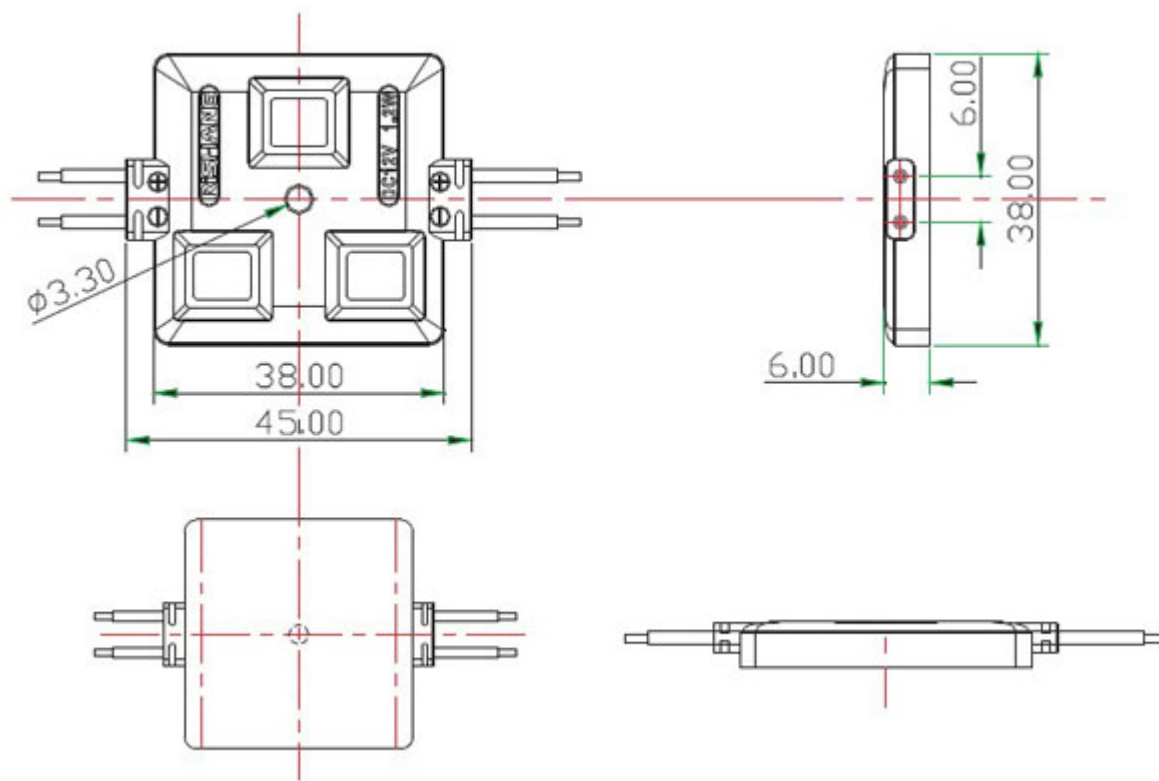
**Application:**

This LED SMD module is widely used for solid lighting character, LED signs, LED lighting box, scenery designs and décor, etc.





45×38×6.0mm



## Details

SMD Package Model	Other
Color	White
Shape	Square

Brightness	High
Material	Plastic
LED Number	3

## Specifications

Basic parameter			
Color	White	LED type	high power
LED Qty	3 pcs	Demension	45x38x6mm
Module interface	Gray 0.5mm2x75mm RVleads	Interface definition	Gray anode,white cathode
Cluster Qty	50	Module space between	
Weight	23g±5%	Lifespan	MTBF?50000hours
Enviroment parameter			
working temperature	-25?~ 60?		
Defend Grade	IP65		
Electronic specification			
Working input voltage	D12V±5%	Max power	1.2W/PCS
Driving mode	Constant current driving		
lighting capability			
Luminous Flux	76lm		
Beam angle	115°		



Copyright © 1999-2012 by Beijing ChinaSigns Information Company Limited All Rights Reserved.

Email:info@sign-in-china.com Tel:+86 132 6410 3286 www.sign-in-china.com