



High Power 3 SMD LED Module, White LED 1.2W 88x16mm

Item Code: LED module-RS-M603C-3WF



FOB Price: **\$2.13/pc**

Mini Order: 200 pcs

Average Rating: 1b (kg)

[Inquire Now](#)

Overview

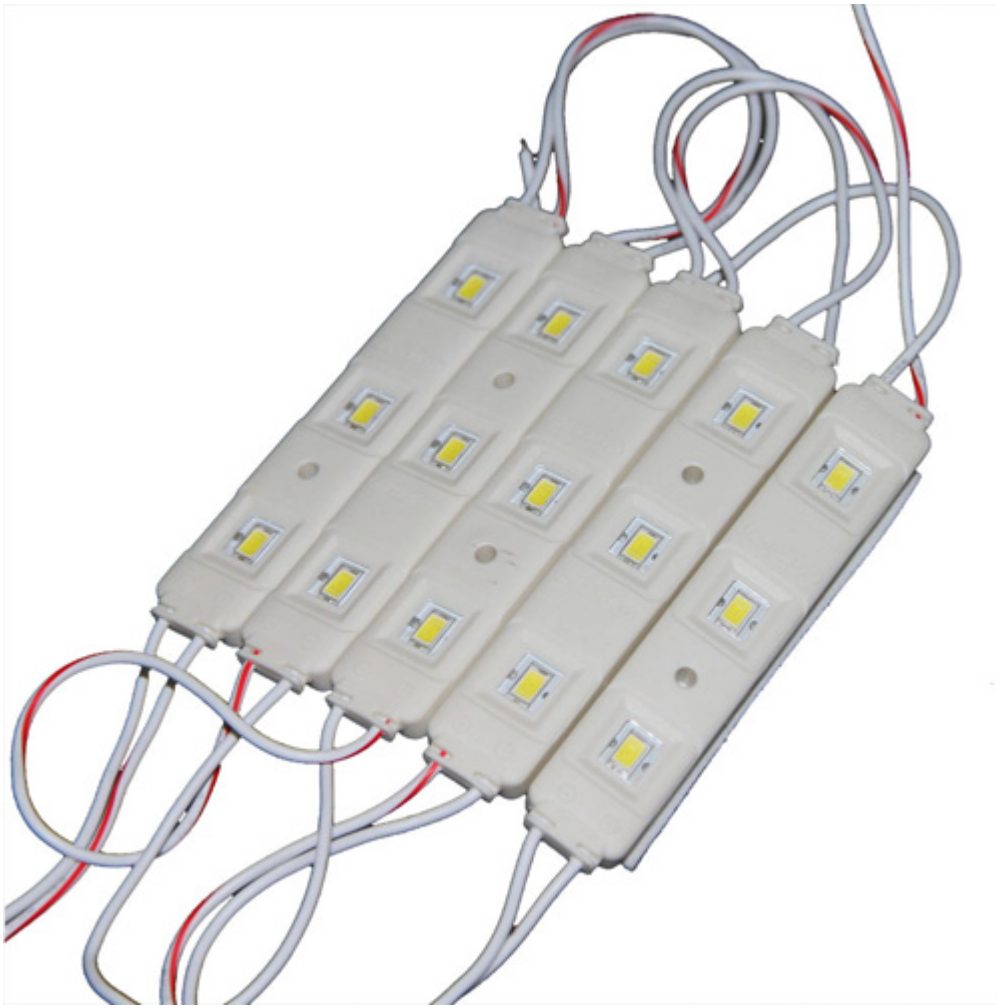
It is fits for 12-25cm height logo and signage.

Product Features:

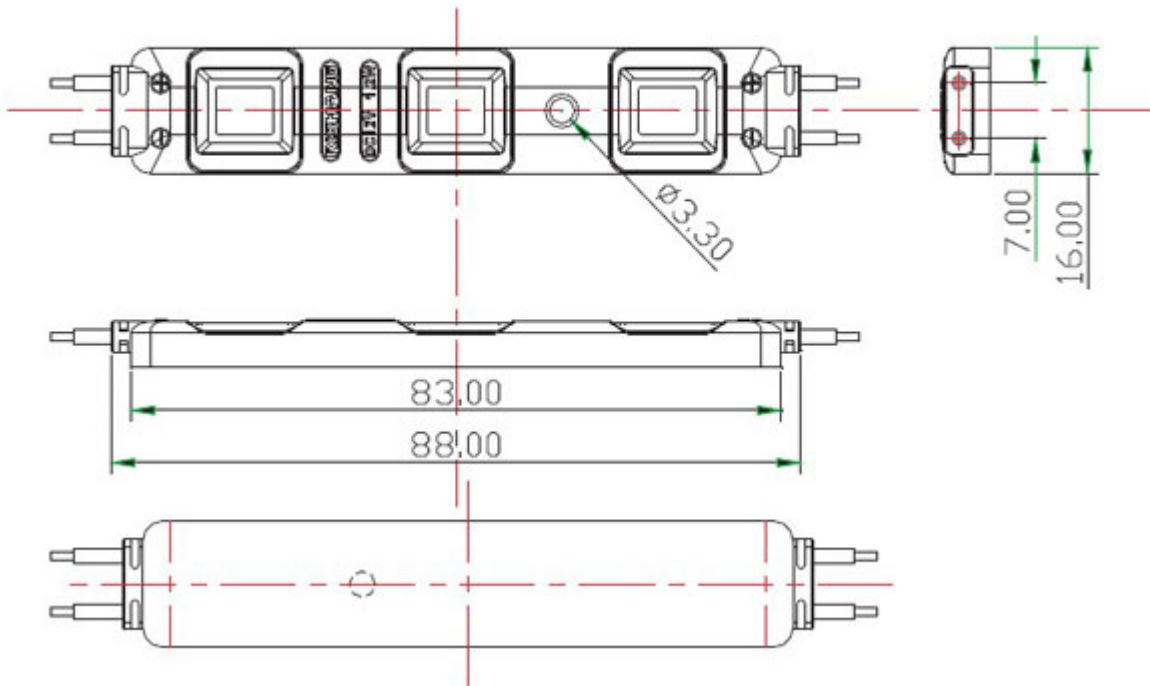
- High performance-price ratio, Luminous Flux per Module: 72lm, Luminous efficiency: 60 lm/w
- Good quality: We adopt the package process and aluminum PCB which improve the whole item heat dissipation and increase the service life.
- Constant current driving: This design make the whole product brightness more equality and provided a long lift-span guarantee.
- High protection level: Adopting PC shield and the package process which make the protection level real get to IP65.
- Easy to install, maximum cascade number: 50PCS modules; cut between modules is allowed. A single module can work alone, convenient to use.
- Reliable operating time: 3 years warranty (12h per day)

Application:

This LED SMD module is widely used for solid lighting character, LED signs, LED lighting box, scenery designs, décor, etc.



88×16×6.0mm



Details

Material	Plastic
SMD Package Model	Other
Color	White
Shape	Rectangular
Brightness	High
LED Number	3

Specifications

Basic parameters			
Color	White	LED type	high power
LED Qty	3 pcs	Dimension	88 x 16 x 6mm
Module interface	Gray 0.5mm2x75mm RVleads	Interface definition	Gray anode, white cathode
Cluster Qty	50	Module space between	
Weight	23g±5%	Lifespan	MTBF?50000hours
Environment parameters			
Working temperature	-25?~ 60?		
Defend grade	IP65		
Electronic specifications			
Working input voltage	D12V±5%	Max power	1.2W/PCS
Driving mode	Constant current driving		
Lighting capability			
Luminous flux	72 lm		
Beam angle	115°		



Copyright © 1999-2012 by Beijing ChinaSigns Information Company Limited All Rights Reserved.

Email:info@sign-in-china.com Tel:+86 132 6410 3286 www.sign-in-china.com