



## High Power 2 SMD LED Module, White LED 1.2W 67.4x16mm

Item Code: LED module-RS-M602C-2WF



FOB Price: **\$1.60/pc**

Mini Order: 200 pcs

Average Rating: 1b (kg)

[Inquire Now](#)

### Overview

Basic parameters			
Color	White	LED type	high power
LED Qty	2 pcs	Dimension	67.4 x 16 x 6mm
Module interface	Gray 0.5mm2x75mm RVleads	Interface definition	Gray anode, white cathode
Cluster Qty	50	Module space between	
Weight	13g±5%	Lifespan	MTBF?50000hours
Environment parameters			
Working temperature	-25?~ 60?		
Defend grade	IP65		
Electronic specifications			
Working input voltage	D12V±5%	Max power	1.2W/PCS

Driving mode	Constant current driving
Lighting capability	
Luminous flux	47lm
Beam angle	115°

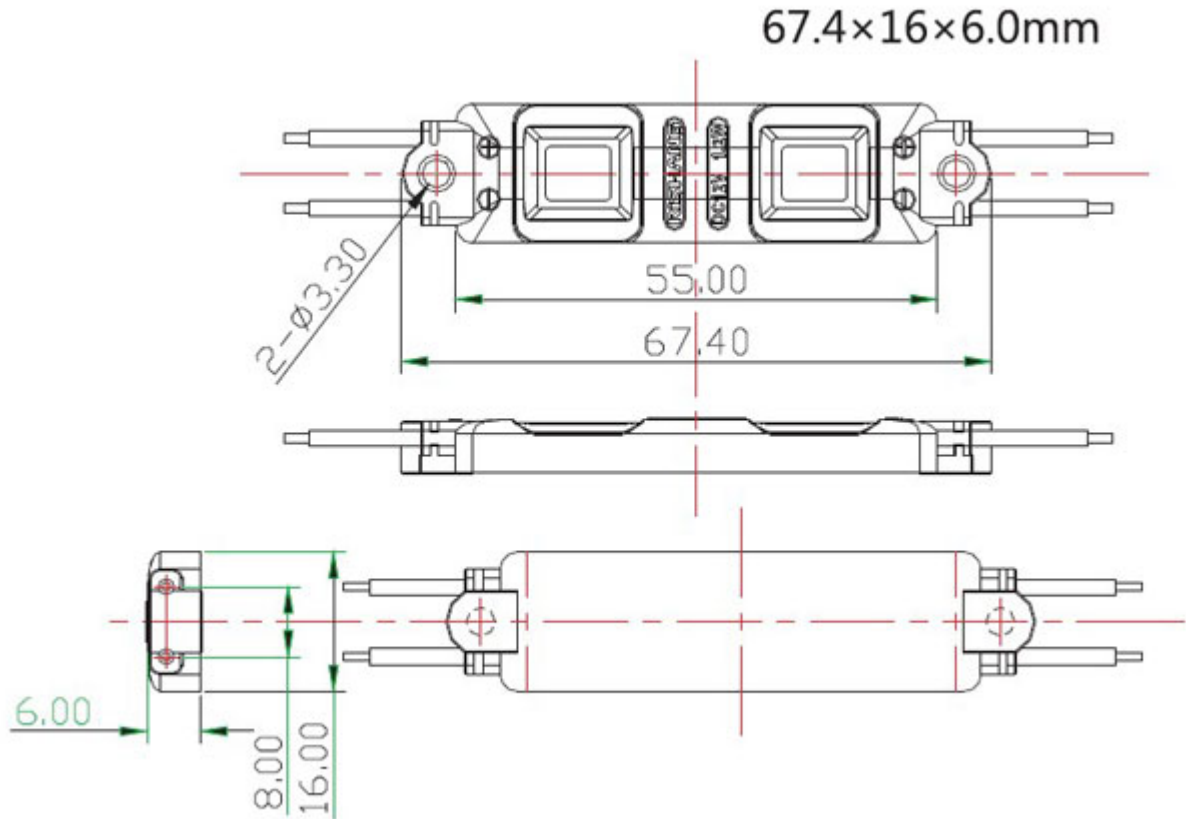
It fits for 10-22cm height logo and signage.

**Product Features:**

1. High performance-price ratio.  
Luminous Flux per Module: 47lm,  
Luminous efficiency: 39 lm/w
2. Good quality.  
We adopt the package process and aluminum PCB which improve the whole item's heat dissipation and extend its life.
3. Constantcurrent driving.  
The design makes the whole product brightness more equality and provided a long lift-span guarantee.
4. High protection level.  
Adopting PC shield and the package process which make the protection level reach IP65 actually.
5. Easy to install.  
Maximum cascade number: 50PCS modules.  
Cut between modules is allowed.  
A single module is able to work alone and convenient for use.
6. Reliable.  
Operating time: 3 years warranty (12h per day)

**Application:**

This LED SMD module is widely used for solid lighting character, LED signs, LED lighting box, scenery designs, décor, etc.



## Details

Material	Plastic
SMD Package Model	Other
Color	White
Shape	Rectangular
Brightness	High
LED Number	2



Copyright © 1999-2012 by Beijing ChinaSigns Information Company Limited All Rights Reserved.

Email:info@sign-in-china.com Tel:+86 132 6410 3286 www.sign-in-china.com