



## High Power 1 SMD LED Module, White LED 0.4W(48x18.5mm)

Item Code: LED module-RS-M601C-1WF



FOB Price: **\$1.05/pc**

Mini Order: 200 pcs

Average Rating: 1b (kg)

[Inquire Now](#)

### Overview

It fits for 8-20cm height logo and signage.

#### Product Features:

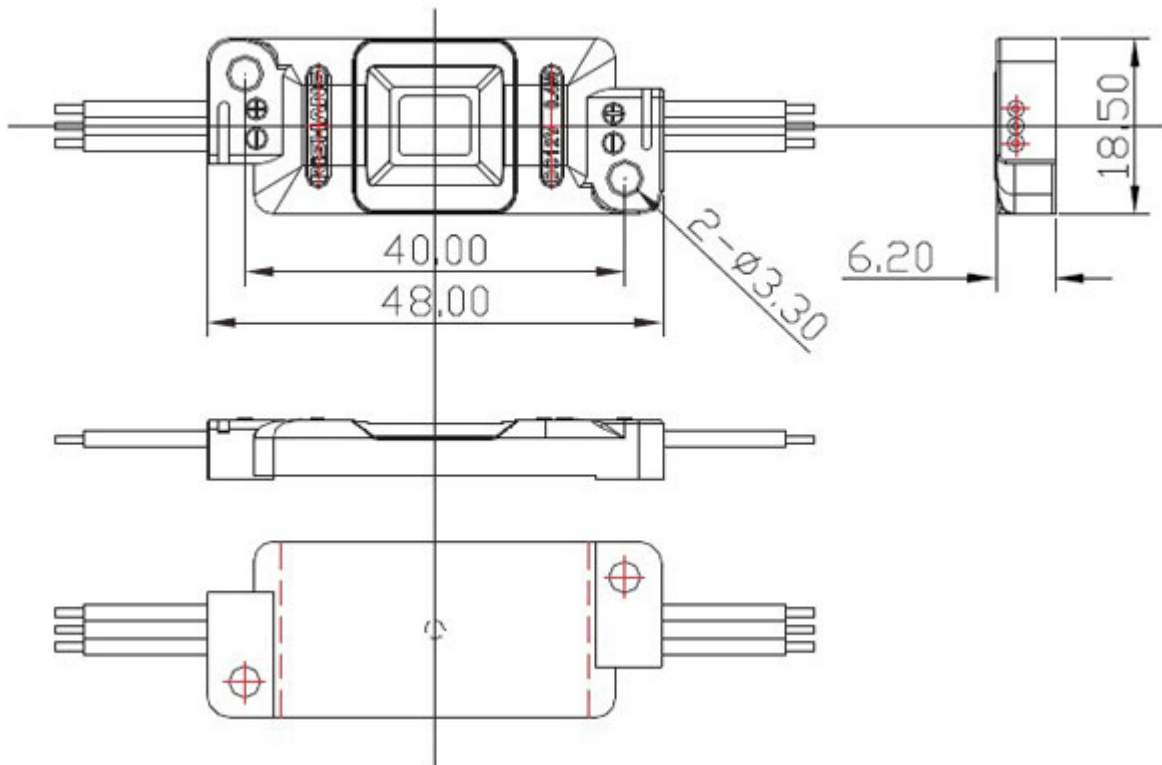
- 1. High performance-price ratio.**  
Luminous Flux per Module: 25lm,  
Luminous efficiency: 63 lm/w
- 2. Good quality.**  
We adopt the package process and aluminum PCB which improve the whole item's heat dissipation and extend its life.
- 3. Constantcurrent driving.**  
The design makes the whole product brightness more equality and provided a long lift-span guarantee.
- 4. High protection level.**  
Adopting PC shield and the package process which make the protection level reach IP65 actually.
- 5. Easy to install.**  
Maximum cascade number: 50PCS modules.  
Cut between modules is allowed.  
A single module is able to work alone and convenient for use.
- 6. Reliable.**  
Operating time: 3 years warranty (12h per day)

#### Application:

This LED SMD module is widely used for solid lighting character, LED signs, LED lighting box, scenery designs, décor, etc.



48×18.5×6.2mm



## Details

LED Number	1
SMD Package Model	Other
Color	White
Shape	Rectangular

Brightness	High
Material	Plastic

## Specifications

Basic parameters			
Color	White	LED type	high power
LED Qty	1 pcs	Dimension	48 x 18.5 x 6.2mm
Module interface	Gray 0.5mm2x75mm RVleads	Interface definition	Gray anode, white cathode
Cluster Qty	50	Module space between	
Weight	13g±5%	Lifespan	MTBF?50000hours
Environment parameters			
Working temperature	-25?~ 60?		
Defend grade	IP65		
Electronic specifications			
Working input voltage	D12V±5%	Max power	1.2w/PCS
Driving mode	Constant current driving		
Lighting capability			
Luminous flux	25lm		
Beam angle	115°		



Copyright © 1999-2012 by Beijing ChinaSigns Information Company Limited All Rights Reserved.

Email:info@sign-in-china.com Tel:+86 132 6410 3286 www.sign-in-china.com