



Economy Standard L Banner Stand

Item Code: SIC-L-D



FOB Price: **\$20.65/pc**

Mini Order: 1 pack (6pcs / pack)

Average Rating: lb (kg)

[Inquire Now](#)

Overview

Feature:

. This affordable, lightweight aluminum frame sets up easily in seconds for ultimate convenience, quality and value.

Specification:

Material: Aluminum, Plastic

Graphic size: 35.5" W x 84.7" H (90cm W x 215cm H)

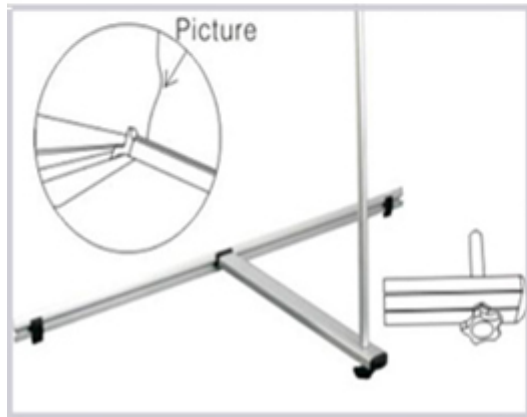
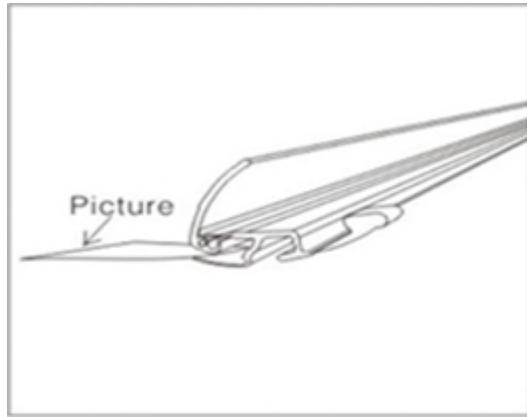
Package/pc: Double canvas bag

Package size/ctn: 11.8"x7.9"x38"(30x20x97cm)/6pcs

G.W./ctn: 27.7lb(12.6kg)

Description:

For maximum classic simplicity, the L banner stand is the preferred choice. L Banner Stands / Tension banner stands are a great way of displaying your exhibition graphics. This L banner display is a great deal. It can be erected in minutes and the graphic panels easily changed. Tension banner stands offer great visual impact for a great price. This banner display is perfect for use within trade show displays, promotional and exhibition events.



Details

Material	Aluminum, Plastic
Graphic size	90cm W x 215cm H(35.5" W x 84.7" H)
Package/pc	Double canvas bag
Package size/ctn	30x20x97cm/6pcs(11.8"x7.9"x38"/6pcs)
G.W./ctn	12.6kg(27.7lb)



Copyright © 1999-2012 by Beijing ChinaSigns Information Company Limited All Rights Reserved.

Email:info@sign-in-china.com Tel:+86 132 6410 3286 www.sign-in-china.com