



## Brand New 40W Laser Tube Water Cooling for the CO2 Laser Engraver

Item Code: CS-LT-KY40



Mini Order: 1 set

Shipping Weight: ★★★★★

Average Rating: 44.0lb (20kg)

[Inquire Now](#)

### Overview

#### Industrial Laser Solution, 2,000 Hours Service Life

Its maximum power can reach 50W.

Maximum 2, 000 Hours Life Span

22" x 39.4" L (550mm x 1000mm L)

Good mode, high power, cost effective, suitable for advertising industry and other high precision engraving and simple cutting applications

#### We will send a new one freely if the tube is broken during transit.

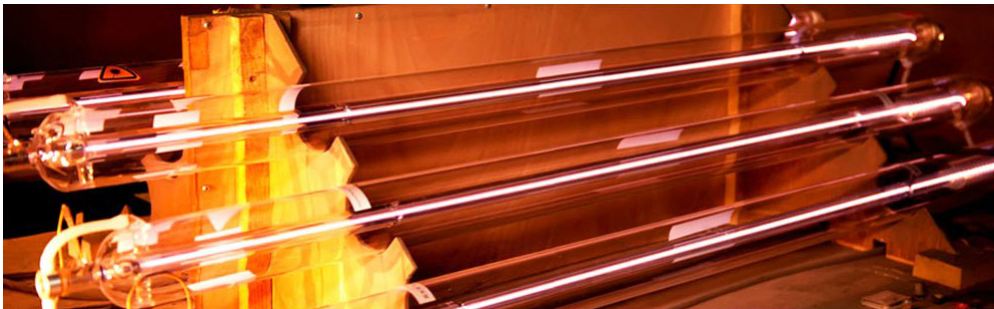
Once received the laser tube, please check again the first time. We need the damaged record from the courier as the proof before we send the new one free.

#### Suitable Machines Model

LEM-R60, LEM-R100, LEM-R80, LEM-LD-600H, LEM-LD-900H;

Other machines with 40W laser tube

#### Detail Pictures:





**Instruction:**

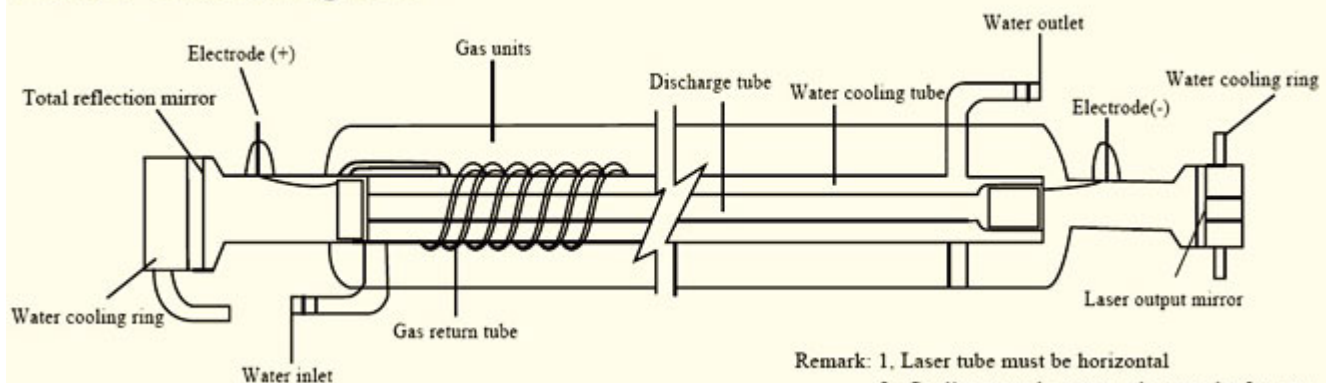
**Using conditions of laser tube**

1. Ambient temperature: 10 - 40
2. Relative humidity: 45% - 85%

**Cooling conditions**

1. Cooling water temperature: 15 - 30 in summer, in other seasons 20 is better.
2. Cooling water flow rate: Above 6L / min;
3. Water quality: Drinking water and impurities is less than 0.2mm in diameter;
4. Cooling water PH value: 6 -9.

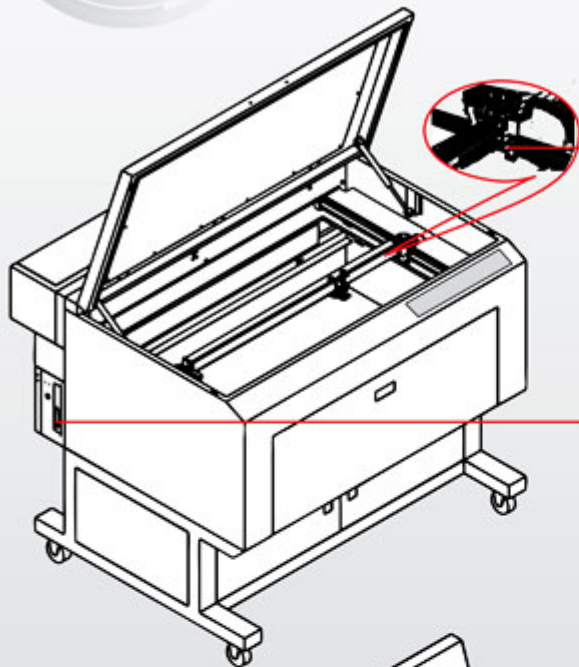
**Laser tube diagram**



- Remark: 1. Laser tube must be horizontal  
 2. Cooling water's output tube must be face up

# The installation drawing of the machine and accessories

Before power on (please pay attention to sequence, from 1-9)



5. Remove the X axis locking screw



6. Connect machine with computer by USB cable



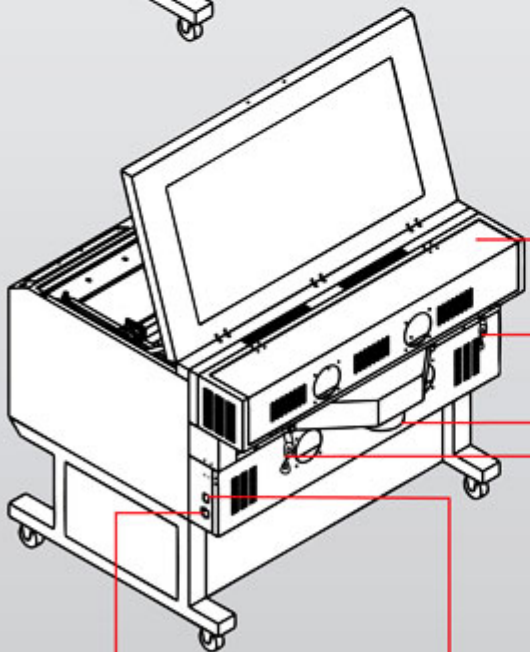
1. Install laser tube



3. Connect air pump



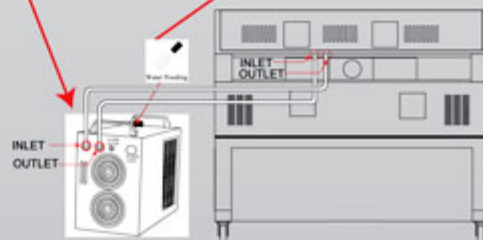
4. Connect fan



7. Connect electricity by power cable



8. Power switch



2. Connect water chiller

## The installation drawing of laser

## What is laser engraving?

The laser engraving machine uses a beam of light as the engraving tool, so no part of the machinery actually touches the material being engraved. You don't need a special system to hold down your engraving material. The engraved words and graphs do not fade and can exist permanently and can avoid being forged effectively.

## Many Laser Tube on Market, Why Buy From US?

### 1. Quality

Our factories have passed ISO9001 / 2000 quality certification. Most of our products have CE Certification, FDA Certification and RoHS Certification.

### 2. Price

Striving to improve efficiency and reduce costs, we have absolute predominance in price by selling products online directly to the end users.

### 3. Service

For international customer we provide professional technology support on all our products by E – mail within 24 hours or MSN / Skype online. Any problems about product, we will provide the step by step instruction for you.

### 4. Spare Parts Supports

We provide all replacement parts for all machines we sold, if you have a parts that break beyond warranty period, you could order it directly from us at reasonable prices. We would post the new parts with step by step instructions in PDF format on how to replace the parts to you.

### 5. Satisfaction Guarantee

For the items other than consumable products sold via [www.Sign-in-China.com](http://www.Sign-in-China.com), we provide 12 months warranty after shipment. All the extra parts for equipment can be purchased from [www.Sign-in-China.com](http://www.Sign-in-China.com). Further, for our VIP customers, the period of warranty shall be extended to 18 months.

We offer 14 days 100% satisfaction guarantee on all our machines. If you are not satisfied after receiving an item, [Sign-in-China.com](http://Sign-in-China.com) promises that, within 14 days after actual delivery of such an item, you are allowed to return the item to us and get complete refund, provided the returned item does not affect its subsequent re - selling and you also undertake the charge of returning delivery.

### 6. Shipping

With professional packing skills to avoid the breakage, we have posted laser tube to worldwide safe and sound, including USA, Europe, Eastern Europe, South America, and Middle East, etc.

**PS: To ensure customer get the laser tube fast and safety, we choose DHL express door to door service flight directly from Beijing of China. The delivery time is about 4-5 days to most coutry of west Europe and USA. (Please inform us if you want to send the laser tube through other express)**

? Your order will be post within 48 hours including weekend after the full payment is cleared.

? The airway bill number for for on – line tracking will be sent after your order is send, please check your E – mail.

## Benefits of our lasers?

Lasers Designed Specifically for Engraving & Cutting - Lasers are made in China with high quality and specifically tuned to provide fine cutting and engraving quality.

Power Range Availability (30 - 180 watts) - Get the exact amount of power you need for virtually any application.

## How much power do I need?

**25-35 Watts** - It is special for stamp carving and simple engraving and thin material cutting, not recommended for thick cutting or dual head applications.

**40-50 Watts** - Medium production power level for deeper, high speed engraving and slightly thick cutting operations.

**60-80 Watts** - High production power level provides increased throughput, deep engraving and cutting. Ideal for precision engraving and cutting.

**100-180 Watts** - Very high production power level that is ideal for heavy cutting and deep, higher throughput engraving. For example, if you want to cut acrylic of thickness of over 3mm (include 3mm); you can choose high power lasers.

---

## Specifications

### Specifications for industrial CO2 laser tubes

Model	CS-LT-KY40
-------	------------

Nominal Power	40W
Power Output	Maximum continuous output power 45 - 60W
Length	39.3" (1000mm)
Outer Diameter	φ50mm (2")
Ignition Voltage	18kv
Performance Working Current	22mA
Power Instability	±5%
Beam Divergence Angle	φ 4mrad
Spot Mode (Transverse Mode)	Low order mode
Spot Size	φ4.0 ± 0.3mm



Copyright © 1999-2012 by Beijing ChinaSigns Information Company Limited All Rights Reserved.

Email:info@sign-in-china.com Tel:+86 132 6410 3286 www.sign-in-china.com