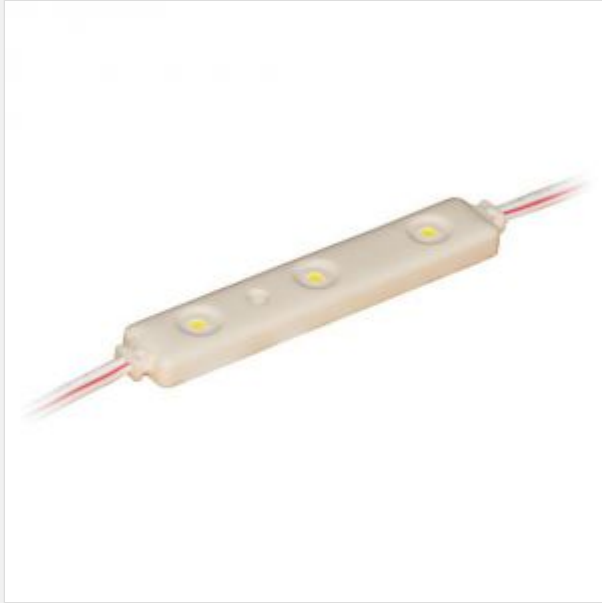




0.3w 3 SMD LED Module, White LED(74x12.4mm)

Item Code: LED module-RS-M613B-3WF



FOB Price: **\$0.92/pc**

Mini Order: 200 pcs

Average Rating: 1b (kg)

[Inquire Now](#)

Overview

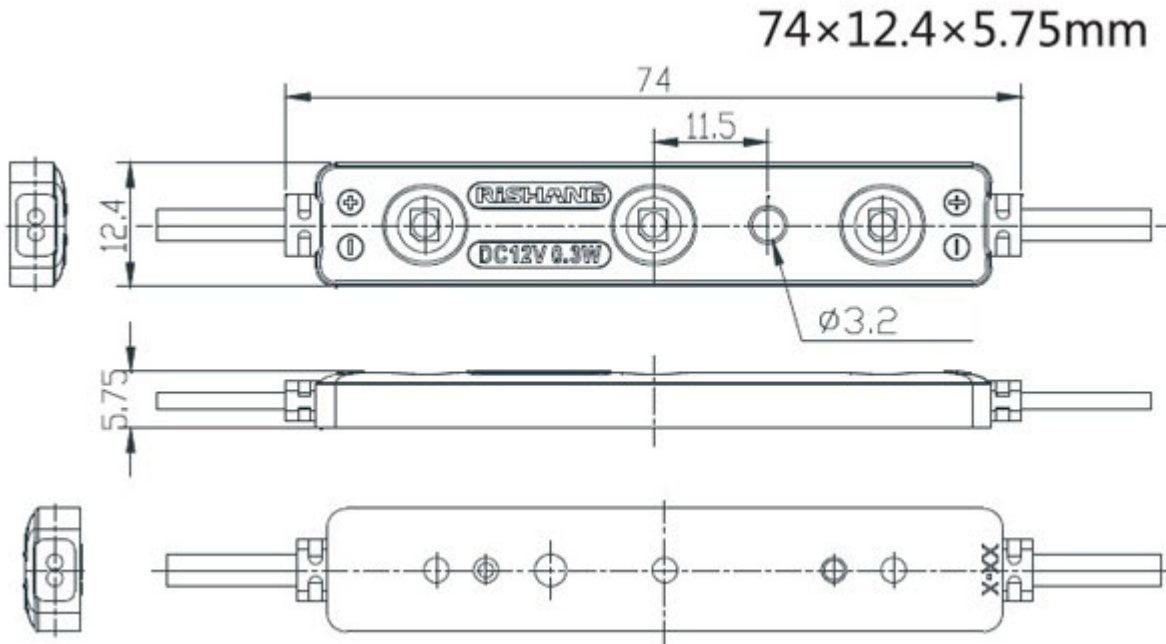
It fits for 6-18cm height logo and signage.

Characteristic:

1. Using high brightness LED SMD as the lamp-house, having wide viewing angle and petty aperture.
2. Controlled by the chips with constant current, having constant working current and indiscriminate between the cathode and anode.
3. Low voltage, safe and jar less.
4. With a settled orifice and 3M gummed paper, very convenient to install.
5. Long life time.above50000hrs.
6. Low power consumption, energy conservation and saving electricity.

Application:

This LED SMD module is widely used for solid lighting character, LED signs, LED lighting box, scenery designs and décor, etc.

**Details**

SMD Package Model	Other
Color	White
Shape	Rectangular
Brightness	High
LED Number	3
Material	Plastic

Specifications

Basic parameter			
Color	White	LED type	SMD
LED Qty	3 pcs	Demension	74x12.4x5.5mm
Module interface	Gray 0.5mm2x75mm RVleads	Interface definition	Gray anode, white cathode
Cluster Qty	20pcs	Module space between	

Weight	10g±5%	Lifespan	MTBF?50000hours
Enviroment parameter			
working temperature	-30?~ 50?		
Defend Grade	IP65		
Electronic specification			
Working input voltage	D12V±5%	Max power	0.3W
Driving mode	Invariablenes Voltage! (Insure every LED working under the invariablenes voltage)		
lighting capability			
Luminous Flux	21 lm		
Beam angle	118°		



Copyright © 1999-2012 by Beijing ChinaSigns Information Company Limited All Rights Reserved.

Email:info@sign-in-china.com Tel:+86 132 6410 3286 www.sign-in-china.com