



0.3w 2 SMD LED Module, White LED(30x7mm)

Item Code: LED module-RS-M602B-2WF



FOB Price: **\$0.82/pc**

Mini Order: 200 pcs

Average Rating: 1b (kg)

[Inquire Now](#)

Overview

Basic parameters			
Color	White	LED type	SMD
LED Qty	2 pcs	Dimension	30 x 74 x 5.5mm
Module interface	Gray 0.5mm2x75mm RVleads	Interface definition	Gray anode, white cathode
Cluster Qty	20pcs	Module space between	
Weight	10g±5%	Lifespan	MTBF?50000hours
Environment parameters			
Working temperature	-30?~ 50?		
Defend grade	IP65		
Electronic specifications			
Working input voltage	D12V±5%	Max power	0.3W

Driving mode	Invariable voltage! (Insure every LED working under the invariable voltage)
Lighting capability	
Luminous flux	14 lm
Beam angle	118°

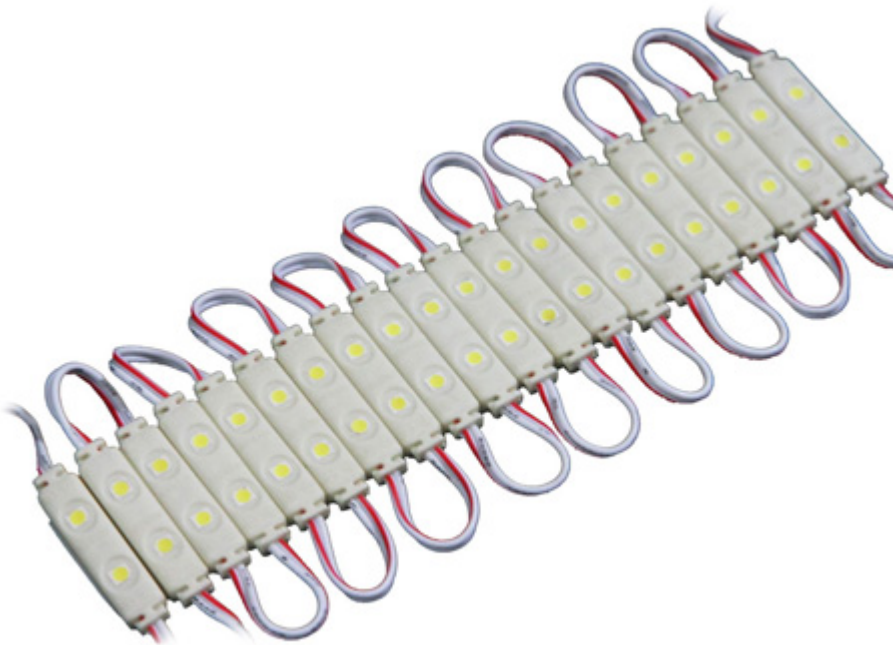
It fits for 6-12cm height logo and signage.

Characteristics:

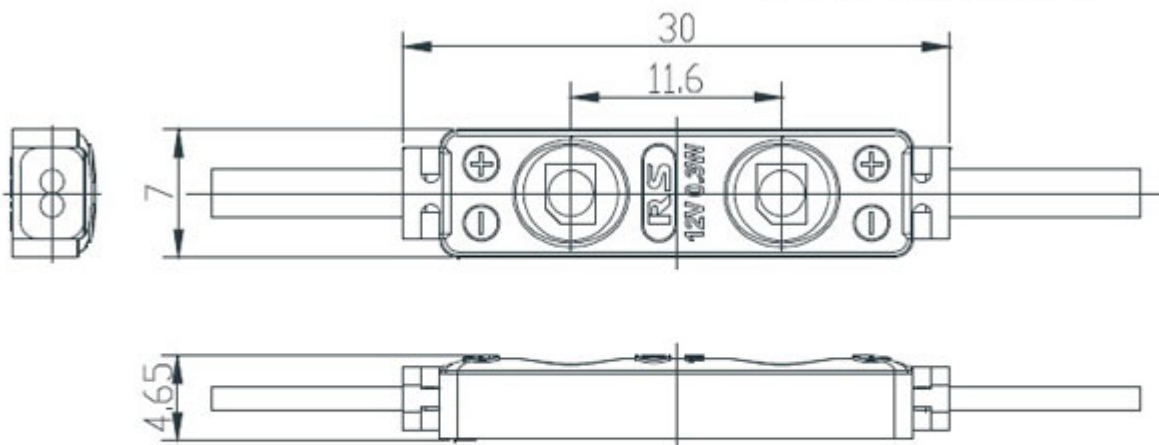
1. Using high brightness LED SMD as the lamp-house, having wide viewing angle and petty aperture.
2. Controlled by the chips with constant current, having constant working current and indiscriminate between the cathode and anode.
3. Low voltage, safe and jar less.
4. With a settled orifice and 3M gummed paper, very convenient to install.
5. Long life time, above 50000hrs.
6. Low power consumption, energy conservation and saving electricity.

Application:

This LED SMD module is widely used for solid lighting character, LED signs, LED lighting box, scenery designs, décor, etc.



30×7×4.65mm



Details

Material	Plastic
SMD Package Model	Other
Color	White
Shape	Rectangular
Brightness	High
LED Number	2



Copyright © 1999-2012 by Beijing ChinaSigns Information Company Limited All Rights Reserved.

Email:info@sign-in-china.com Tel:+86 132 6410 3286 www.sign-in-china.com